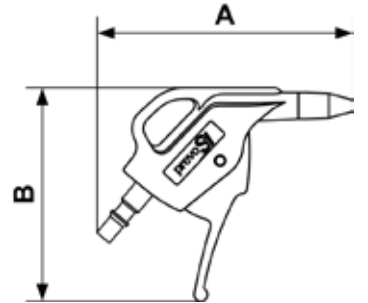


PREVOS1 BLOW GUNS - ISO 6150 C PROFILE - 1/4



prevoS1 blow gun with composite nozzle

Profile : ISO 6150C



Blowing force	Dynamic pressure	Max. operating pressure	ID passage
10 OZF	36.3 psi	174 psi	1/4"

Part number	Flow rate at 87 psi (CFM)	Sound level (dBA)	Length (ft)	ID passage (inch)	Net weight (Kg)	Dim. A (inch)	Dim. B (inch)
CBG 06PRE	8	85	0.154	1/4"	0,074	4.65	3.82